

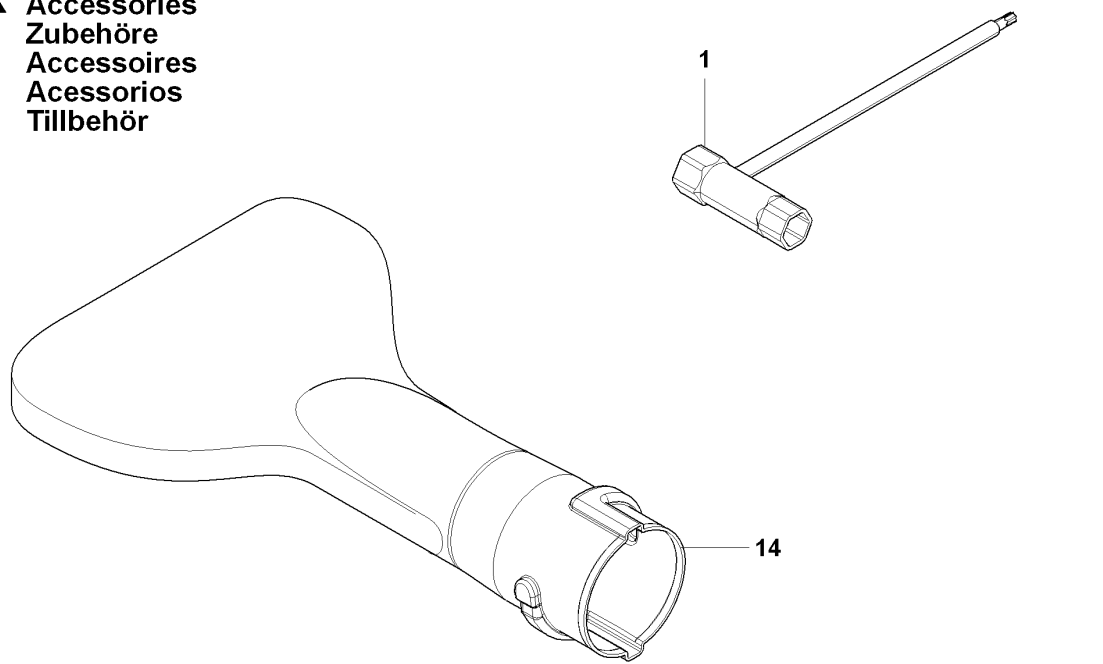


SPARE PARTS LIST

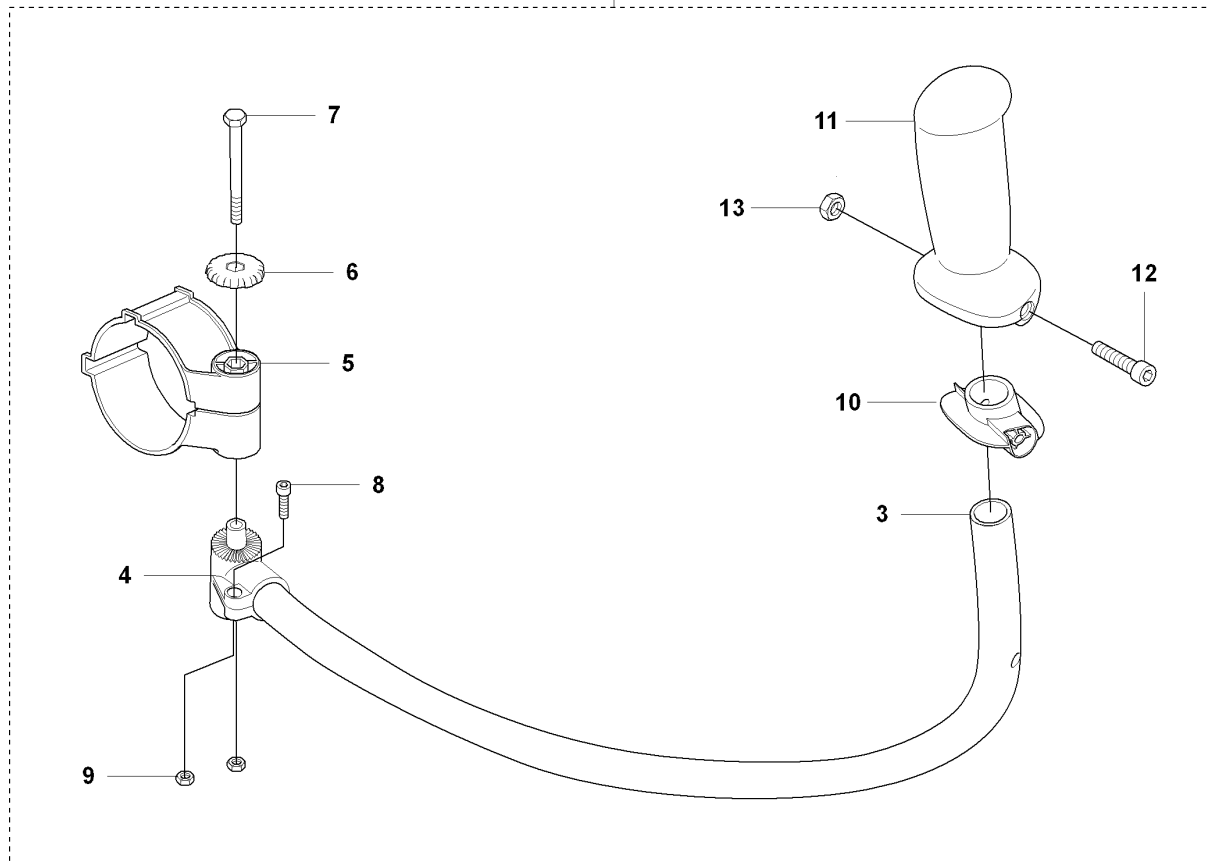
BLOWERS

150 BT Lowes, 2009-10

R 150BT/BF
Accessories
Zubehöre
Accessoires
Acessorios
Tillbehör



2

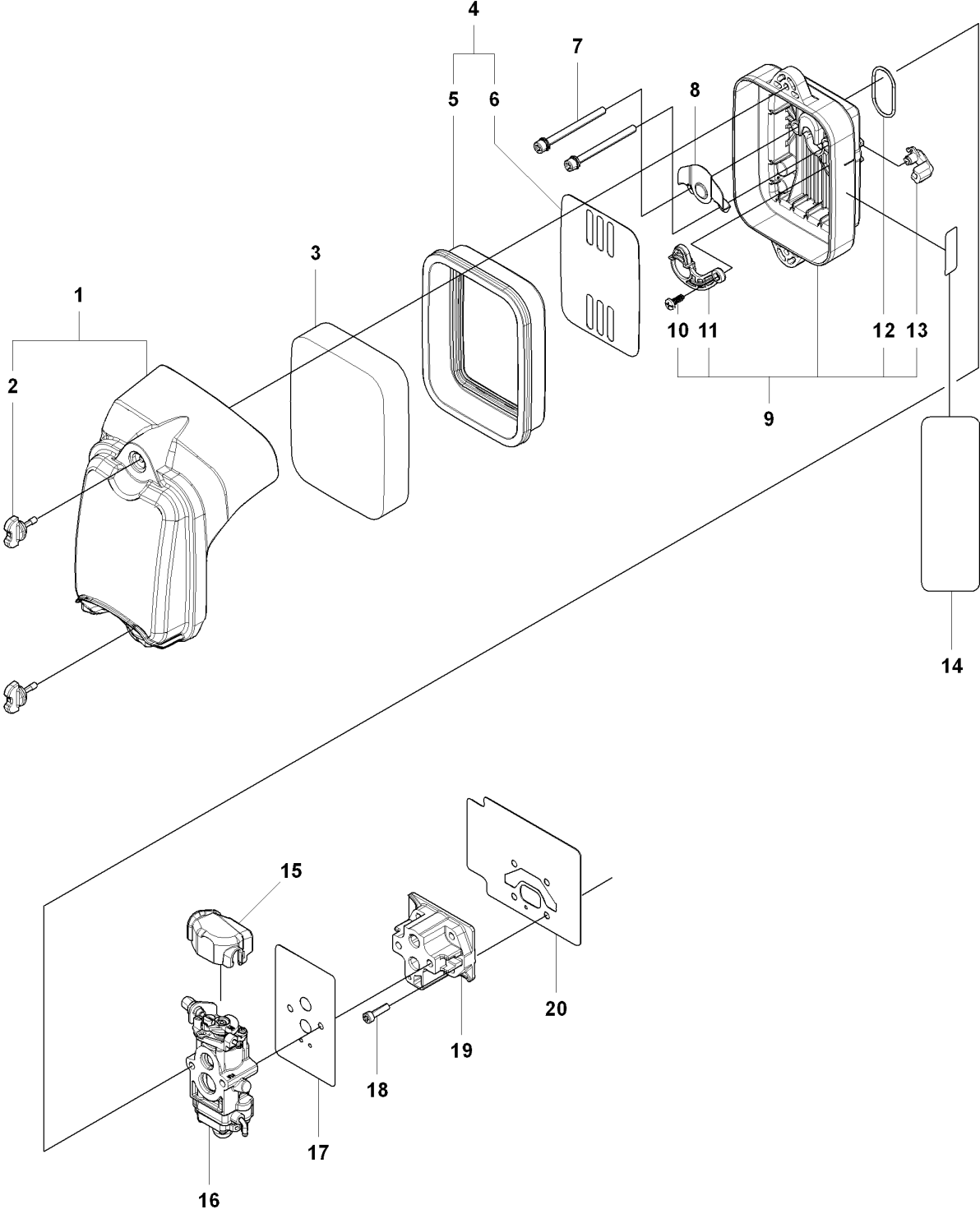


ACCESSORIES

150 BT Lowes, 2009-10

Ref	Part no.	Description	Remark	Qty	Kit
1	521 53 30-01	SOCKET		1	
2	544 40 00-02	HANDLEBAR ASSY		1	
3	537 24 13-01	HANDLEBAR		1	
4	537 29 29-01	BRACKET		1	
5	544 27 59-02	HOLDER		1	
6	502 20 40-01	KNOB		1	
7	725 23 47-51	SCREW EHHM		1	
8	725 53 25-55	SCREW IHSCM		1	
9	731 23 14-01	HEXAGON NUT		2	
10	537 17 29-01	COVER		1	
11	537 17 28-01	HANDLE		1	
12	503 20 02-45	SCREW IHSCFM		1	
13	731 23 14-01	HEXAGON NUT		1	
14	502 44 40-01	TUBE		1	

E 150BT/BF



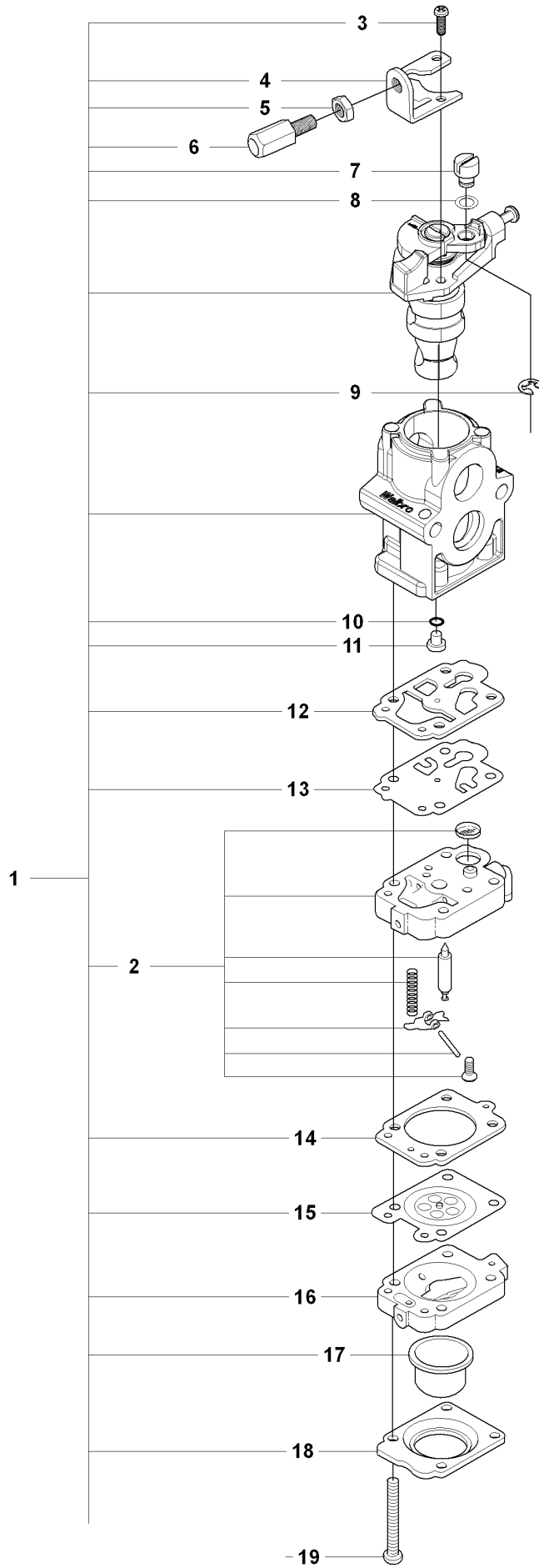
CARBURETOR & AIR FILTER

150 BT Lowes, 2009-10

Ref	Part no.	Description	Remark	Qty	Kit
1	502 84 42-01	COVER		1	
2	502 84 43-01	KNOB		2	
3	502 84 44-01	AIR FILTER		1	
4	502 84 45-01	GASKET		1	
7	502 84 46-01	SCREW		2	
8	502 84 47-01	PLATE		1	
9	502 84 49-02	AIR FILTER HOLDER		1	
14	521 74 02-01	LABEL		1	
15	506 74 42-01	COVER		1	
16	502 84 50-01	CARBURETTOR		1	
17	502 84 53-01	GASKET		1	
18	521 51 65-01	BOLT		4	
19	502 84 54-01	INSULATION		1	
20	502 84 55-01	GASKET		1	

Q 150BT/BF

Walbro WYA-79

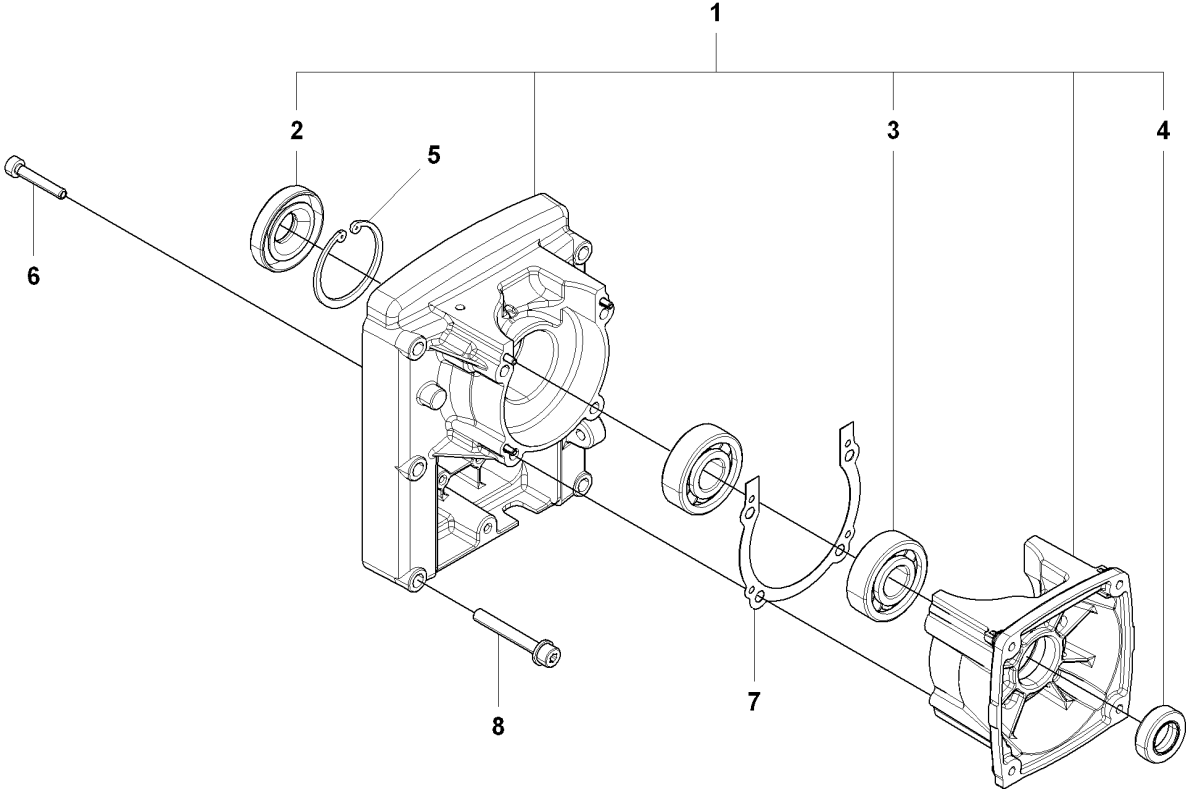


CARBURETOR DETAILS

150 BT Lowes, 2009-10

Ref	Part no.	Description	Remark	Qty	Kit
1	502 84 50-01	CARBURETTOR		1	
2	544 36 35-01	BODY CARBURETTOR		1	
3	505 30 79-01	SCREW		2	
4	506 74 60-01	BRACKET		1	
5	506 61 26-01	NUT		1	
6	506 74 13-01	SCREW		1	
7	506 74 12-01	SWIVEL		1	
8	506 74 61-01	WASHER		1	
9	506 73 86-01	RING		1	
10	505 30 75-01	O-RING		1	
11	504 64 32-01	JET		1	
12	506 74 51-01	GASKET		1	
13	506 68 98-01	DIAPHRAGM		1	
14	506 74 08-01	GASKET		1	
15	505 30 68-01	DIAPHRAGM		1	
16	506 74 09-01	BODY		1	
17	505 30 67-01	PUMP		1	
18	506 74 10-01	COVER		1	
19	506 74 11-01	SCREW		4	

K 150BT/BF

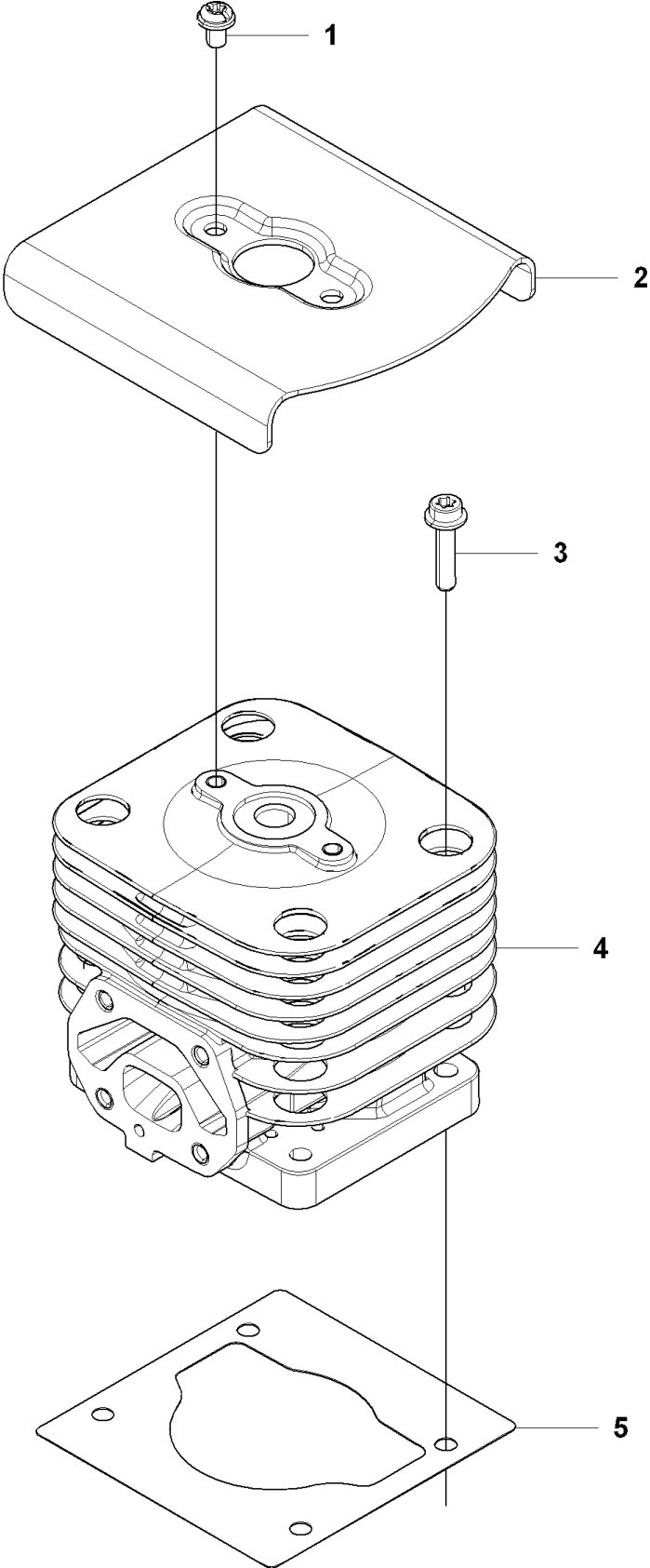


CRANKCASE

150 BT Lowes, 2009-10

Ref	Part no.	Description	Remark	Qty	Kit
1	502 84 89-01	CRANKCASE		1	
2	502 84 90-01	SEALING		1	
3	576 69 61-01	BALL BEARING		2	
4	502 84 92-01	SEALING		1	
5	510 55 13-01	RING		1	
6	515 38 81-01	BOLT		4	
7	502 84 94-01	GASKET		1	
8	576 81 04-01	BOLT		6	

J 150BT/BF

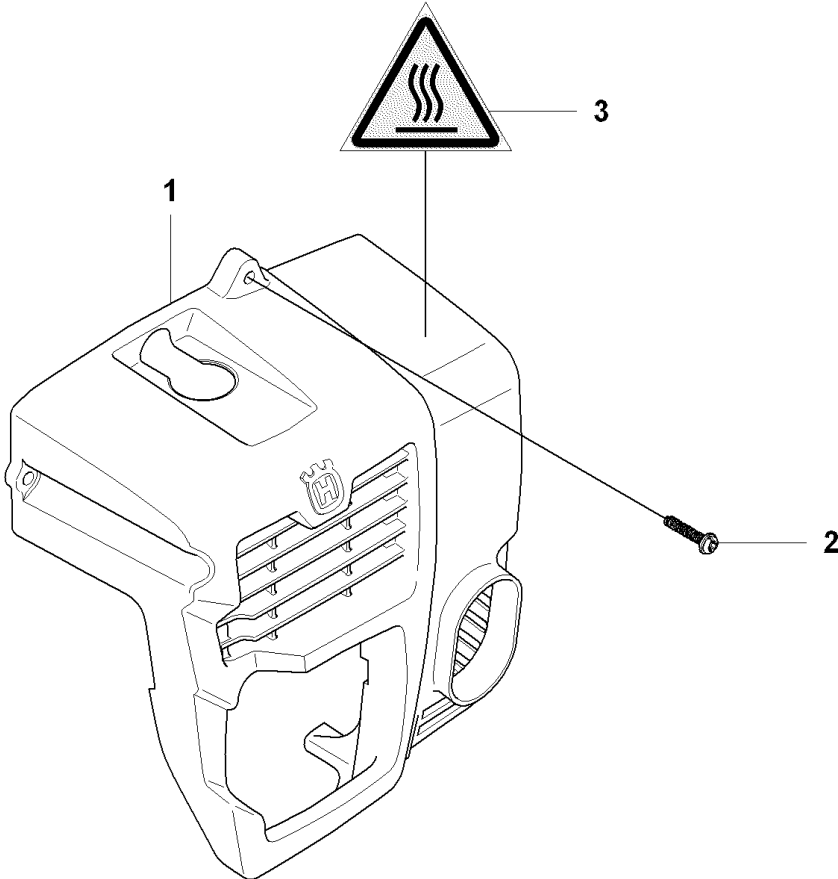


CYLINDER

150 BT Lowes, 2009-10

Ref	Part no.	Description	Remark	Qty	Kit
1	544 25 68-01	SCREW		2	
2	502 84 65-01	PLATE		1	
3	584 63 38-01	BOLT		4	
4	502 84 87-01	CYLINDER		1	
5	502 84 88-01	GASKET		1	

C 150BT/BF

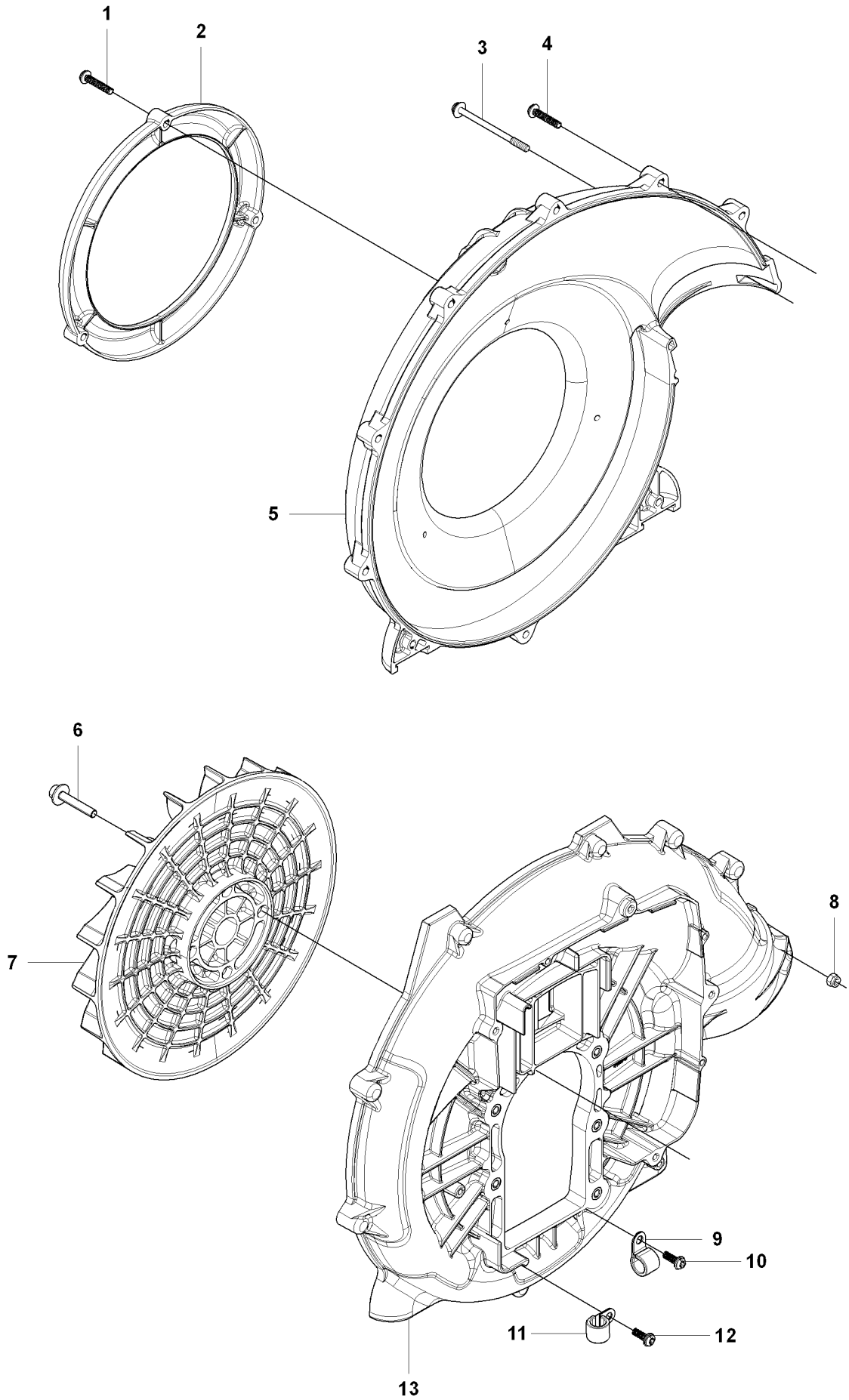


CYLINDER COVER

150 BT Lowes, 2009-10

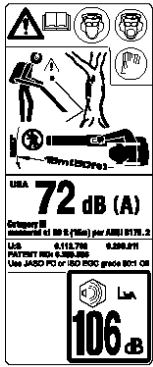
Ref	Part no.	Description	Remark	Qty	Kit
1	502 84 30-01	CYLINDER COVER		1	
2	512 84 81-01	SCREW		4	
3	521 55 36-01	LABEL		1	

M 150BT/BF




Ref	Part no.	Description	Remark	Qty	Kit
1	512 84 81-01	SCREW		3	
2	511 80 52-01	FUNNEL		1	
3	544 26 46-01	SCREW		2	
4	512 84 81-01	SCREW		9	
5	511 80 50-01	VOLUTE COVER		1	
6	510 90 61-01	BOLT		4	
7	502 85 02-01	FAN		1	
8	514 18 39-01	NUT		2	
9	504 12 23-01	CLIP		1	
10	512 84 79-01	SCREW		1	
11	521 52 51-01	CLAMP		1	
12	512 84 79-01	SCREW		1	
13	502 85 03-01	FAN HOUSING		1	

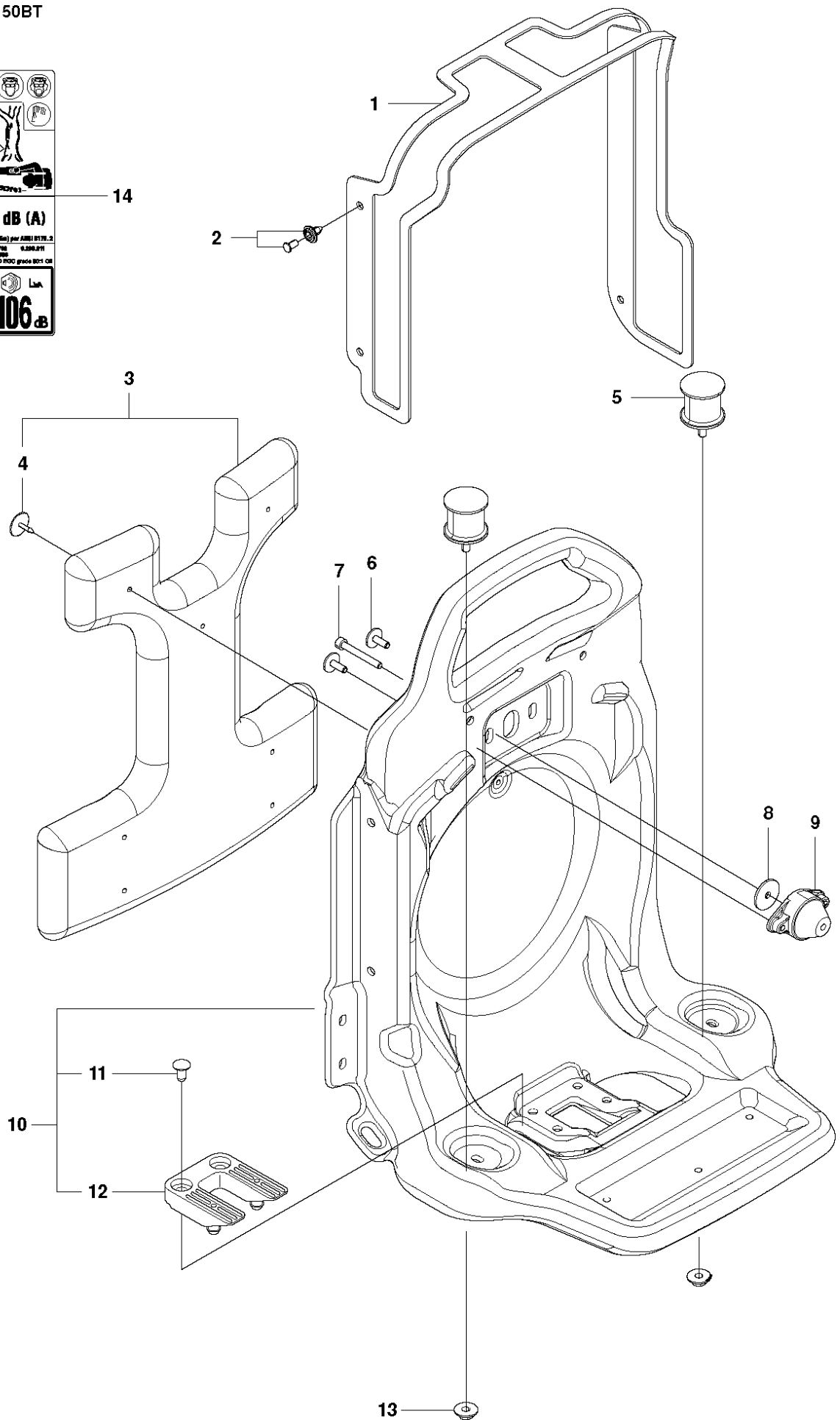
N 150BT



USA **72 dB (A)**
Categorie III
conformità di 100 B (Max) per ANSI S1.75.2
L6A 0.111.770 0.200.171
PATENT NO. 6.350.200
Use JACO PO or ISO POC grade 8011 Oil



106 dB



FRAME

150 BT Lowes, 2009-10

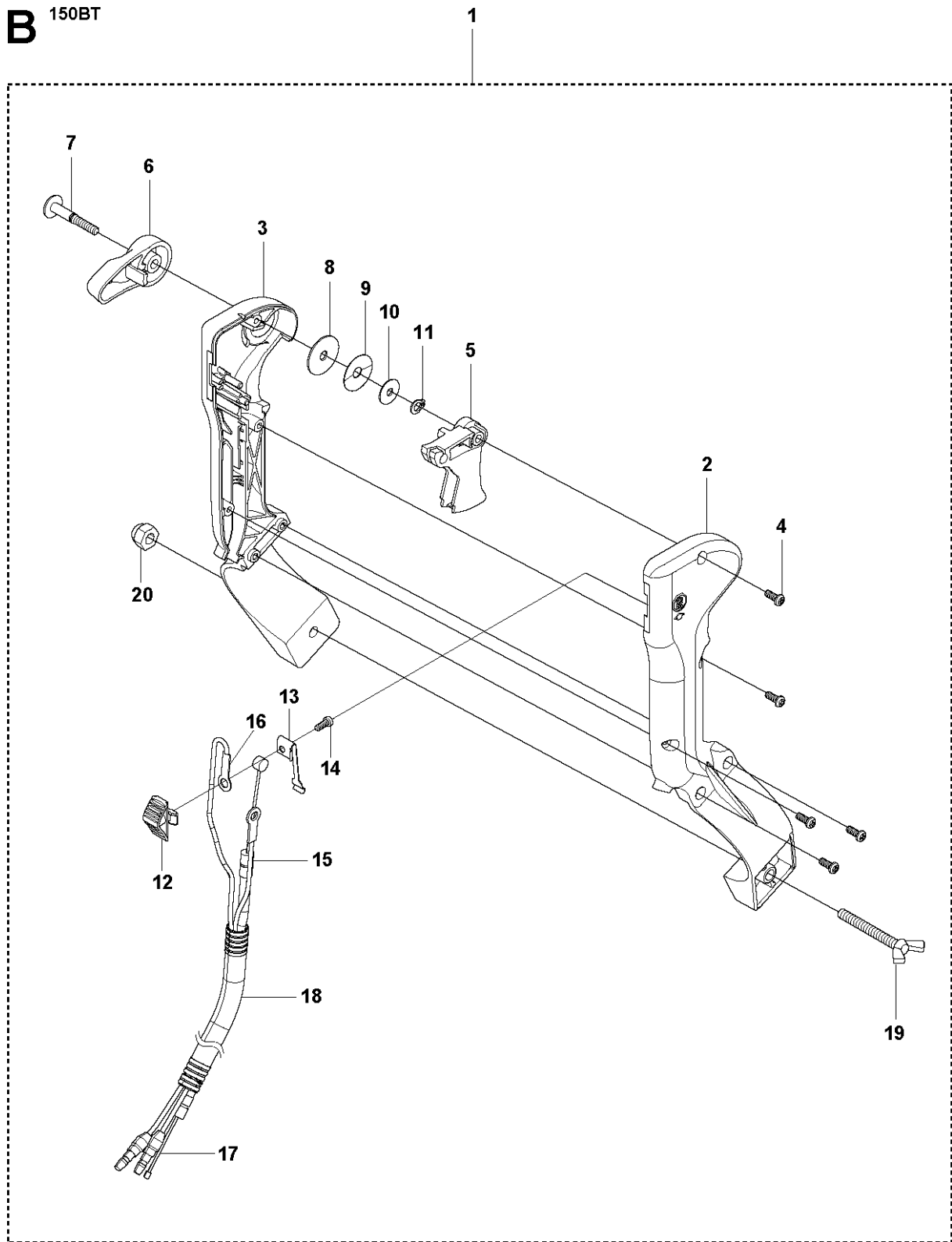
Ref	Part no.	Description	Remark	Qty	Kit
1	511 80 09-01	NET		1	
2	544 27 04-01	CLIP		4	
3	544 27 01-01	PAD COMP		1	
4	544 27 02-01	CLIP		7	
5	513 66 73-01	DAMPER		2	
6	544 27 08-01	SCREW		2	
7	521 51 72-01	BOLT		1	
8	502 85 05-01	WASHER		1	
9	513 66 67-01	DAMPER		1	
10	502 85 06-01	FRAME-C		1	
11	544 27 04-01	CLIP		2	
12	511 80 20-01	CUSHION		1	
13	513 66 75-01	NUT		2	
14	529 29 58-01	LABEL		1	

FUEL TANK

150 BT Lowes, 2009-10

Ref	Part no.	Description	Remark	Qty	Kit
1	581 19 26-01	FUEL TANK		1	
2	579 13 83-03	HOSE ASSY		1	
3	506 70 70-01	CLIP		1	
4	506 74 26-01	FILTER		1	
5	504 11 77-01	TANK CAP ASSY		1	
6	506 74 68-01	FILTER		1	
7	506 74 43-01	PACKING		1	
8	504 11 79-01	HOLDER		1	
9	515 36 94-01	HOLDER-A		1	
11	502 84 62-01	DECAL		1	
12	506 74 15-01	CLIP		1	

B 150BT

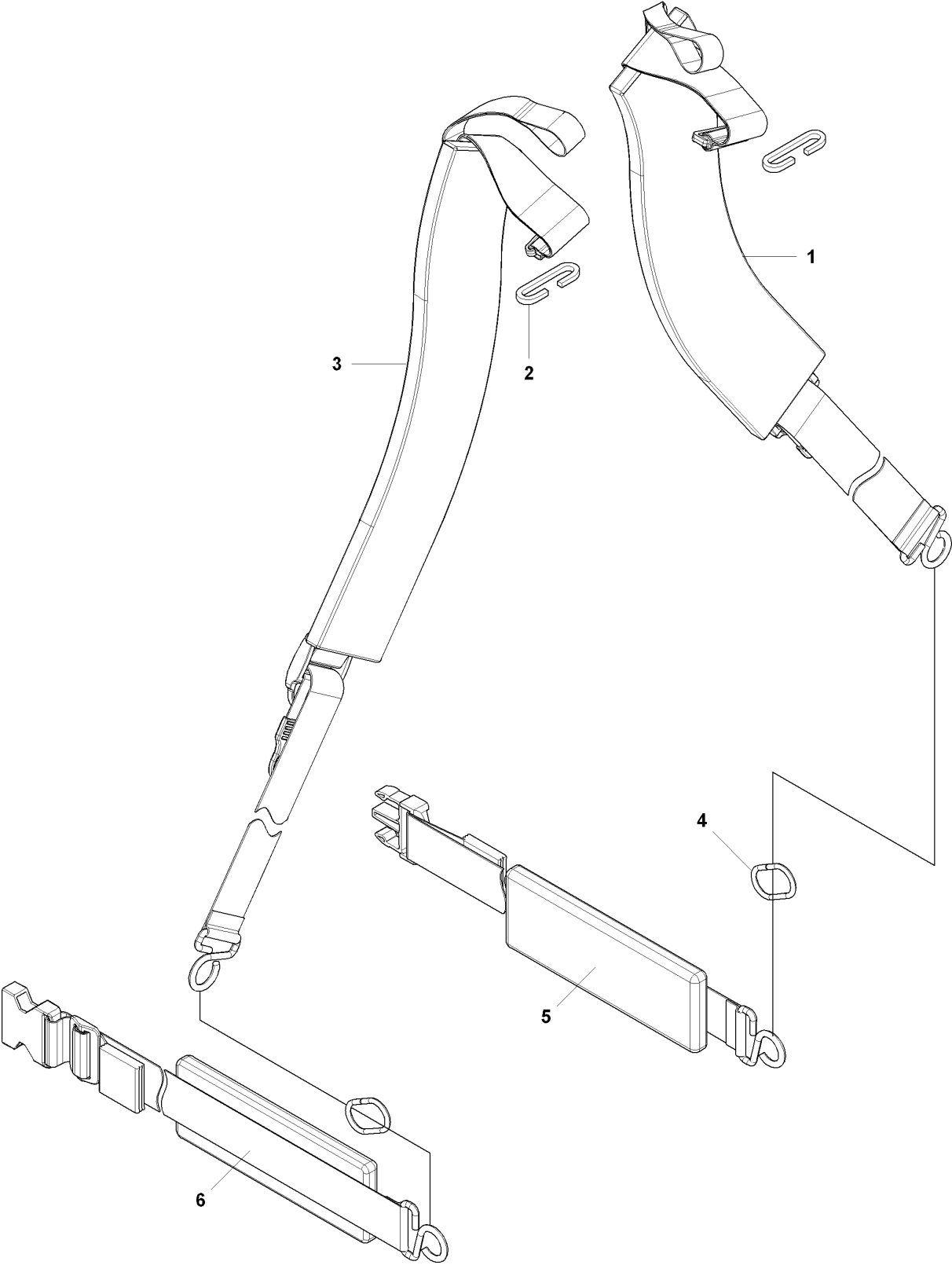


HANDLE & CONTROLS

150 BT Lowes, 2009-10

Ref	Part no.	Description	Remark	Qty	Kit
1	573 93 14-01	LEVER		1	
2	512 69 08-01	COVER		1	
3	511 74 69-01	CASE		1	
4	521 84 07-01	SCREW		5	
5	512 69 49-01	LEVER.THROTTLE		1	
6	521 67 35-01	LEVER		1	
7	512 69 56-01	SHAFT		1	
8	521 84 11-01	WASHER		1	
9	521 84 12-01	SPRING		1	
10	514 15 44-01	WASHER		1	
11	521 84 13-01	CLIP		1	
12	512 69 80-01	SWITCH		1	
13	521 84 16-01	SPRING		1	
14	521 84 17-01	SCREW		1	
15	521 84 18-01	CORD		1	
16	521 84 19-01	CORD		1	
17	512 69 97-01	CABLE		1	
18	521 52 43-01	TUBE		1	
19	514 33 84-01	WING BOLT		1	
20	513 67 14-01	NUT		1	

P 150BT/BF

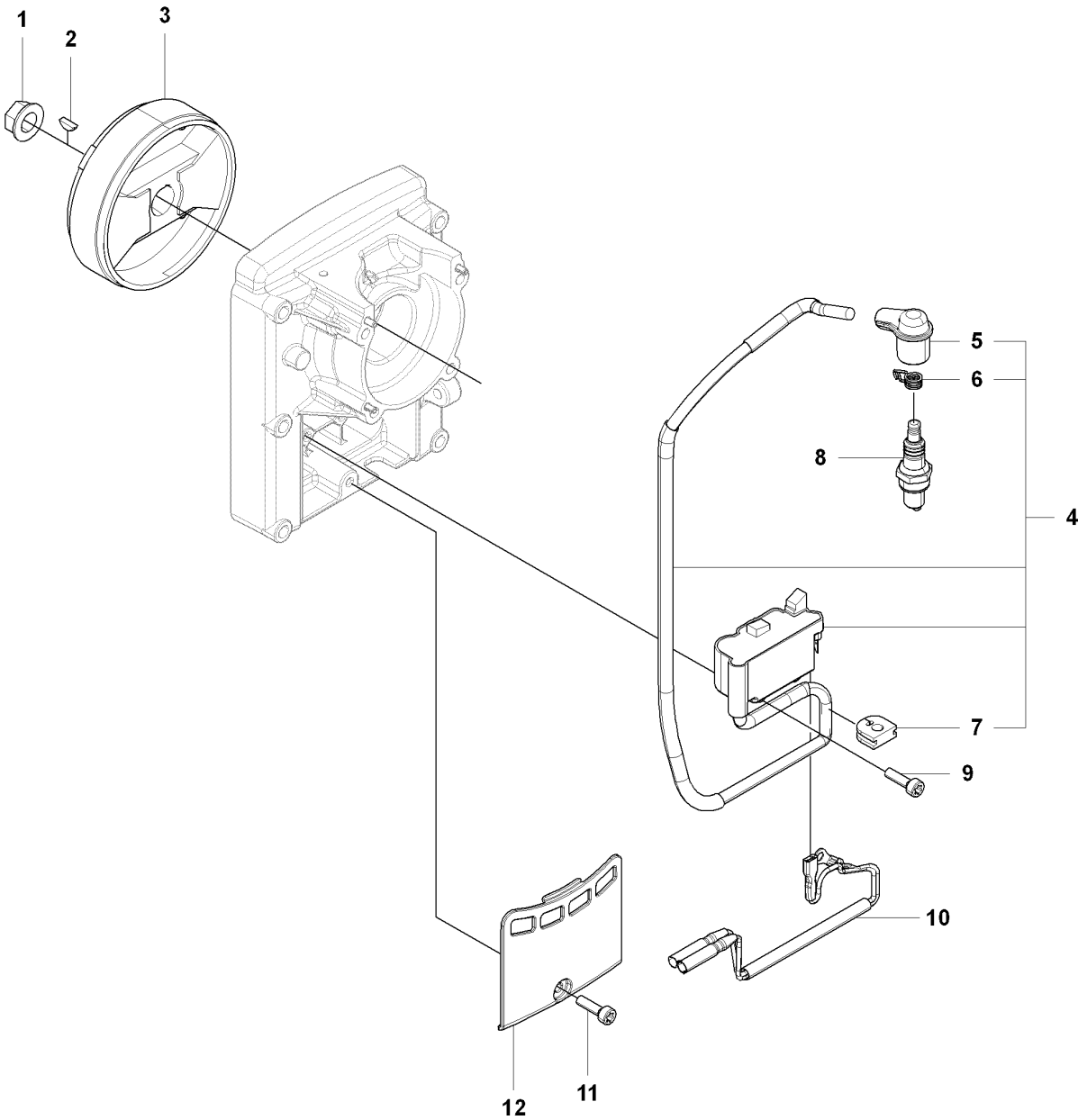


HARNESS

150 BT Lowes, 2009-10

Ref	Part no.	Description	Remark	Qty	Kit
1	511 80 29-01	BAND ASSY(R)		1	
2	544 27 00-01	CLIP		2	
3	511 80 30-01	BAND ASSY (L)		1	
4	514 33 16-01	RING		2	
5	511 80 36-01	BAND B(R)		1	
6	511 80 38-01	BAND B(L)		1	

H 150BT/BF

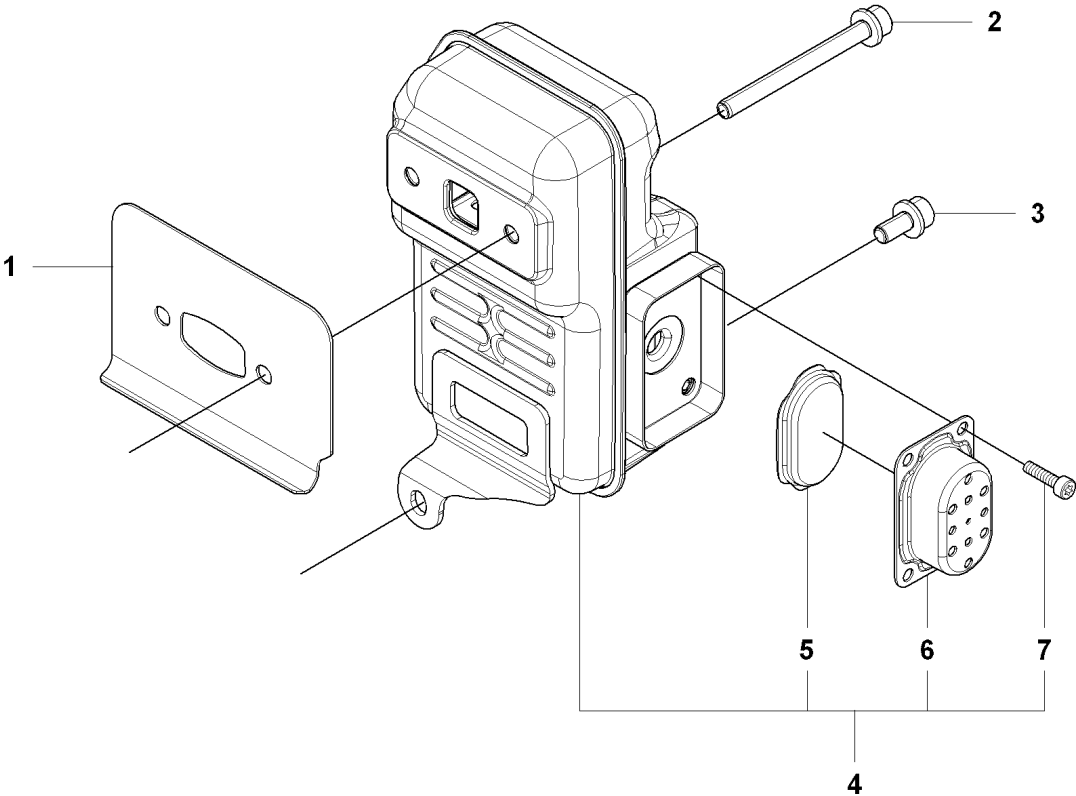


IGNITION SYSTEM

150 BT Lowes, 2009-10

Ref	Part no.	Description	Remark	Qty	Kit
1	513 24 19-01	NUT		1	
2	506 68 94-01	KEY		1	
3	502 84 63-01	FLYWHEEL		1	
4	502 84 64-01	IGNITION MODULE		1	
5	512 44 40-01	CAP		1	
6	504 11 82-01	SPRING		1	
7	515 41 53-01	GROMMET		1	
8	506 61 51-01	SPARK PLUG		1	
9	506 74 57-01	BOLT		2	
10	505 18 37-01	CORD		1	
11	506 74 57-01	BOLT		1	
12	513 66 39-01	COVER		1	

F 150BT/BF

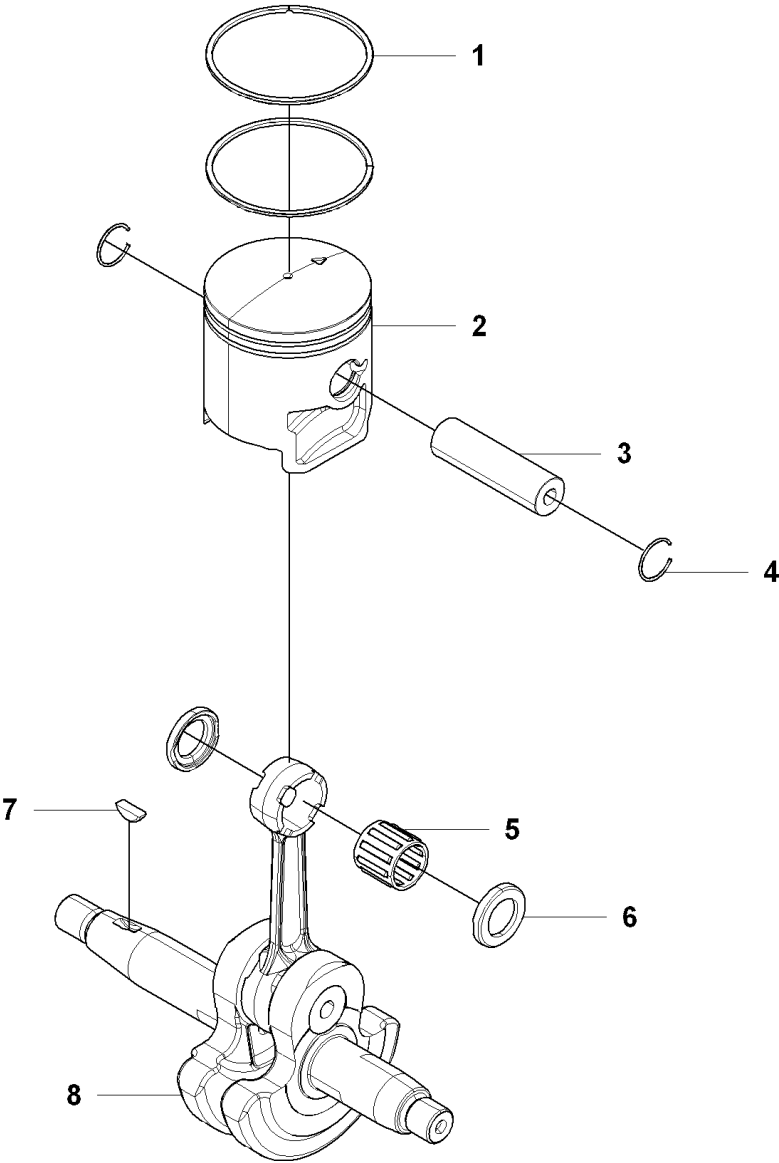


MUFFLER

150 BT Lowes, 2009-10

Ref	Part no.	Description	Remark	Qty	Kit
1	511 49 42-01	GASKET.MUFFLER		1	
2	584 63 39-01	BOLT		2	
3	544 25 80-01	BOLT		1	
4	502 84 57-01	MUFFLER ASSY		1	
5	502 84 58-01	SPARK ARRESTOR SCREEN		1	
6	502 84 59-01	EXHAUST DUCT		1	
7	544 36 27-01	BOLT		4	

L 150BT/BF

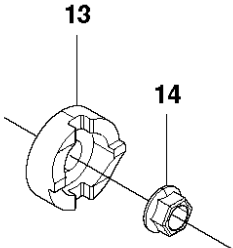
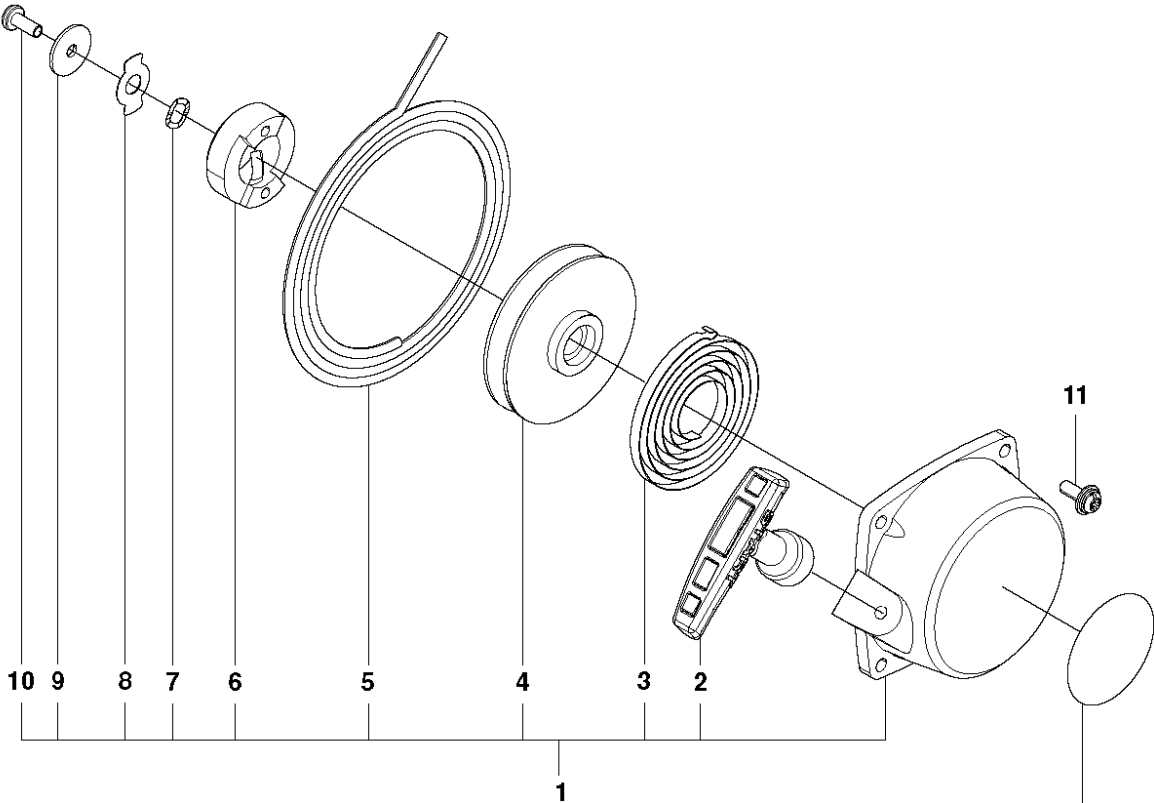


PISTON & CRANKSHAFT

150 BT Lowes, 2009-10

Ref	Part no.	Description	Remark	Qty	Kit
1	502 84 95-01	PISTON RING		2	
2	502 84 96-01	PISTON		1	
3	510 91 69-01	PIN		1	
4	502 84 98-01	SNAP RING		2	
5	576 69 63-01	BEARING		1	
6	502 85 00-01	WASHER		2	
7	506 68 94-01	KEY		1	
8	502 85 01-01	CRANKSHAFT		1	

D 150BT



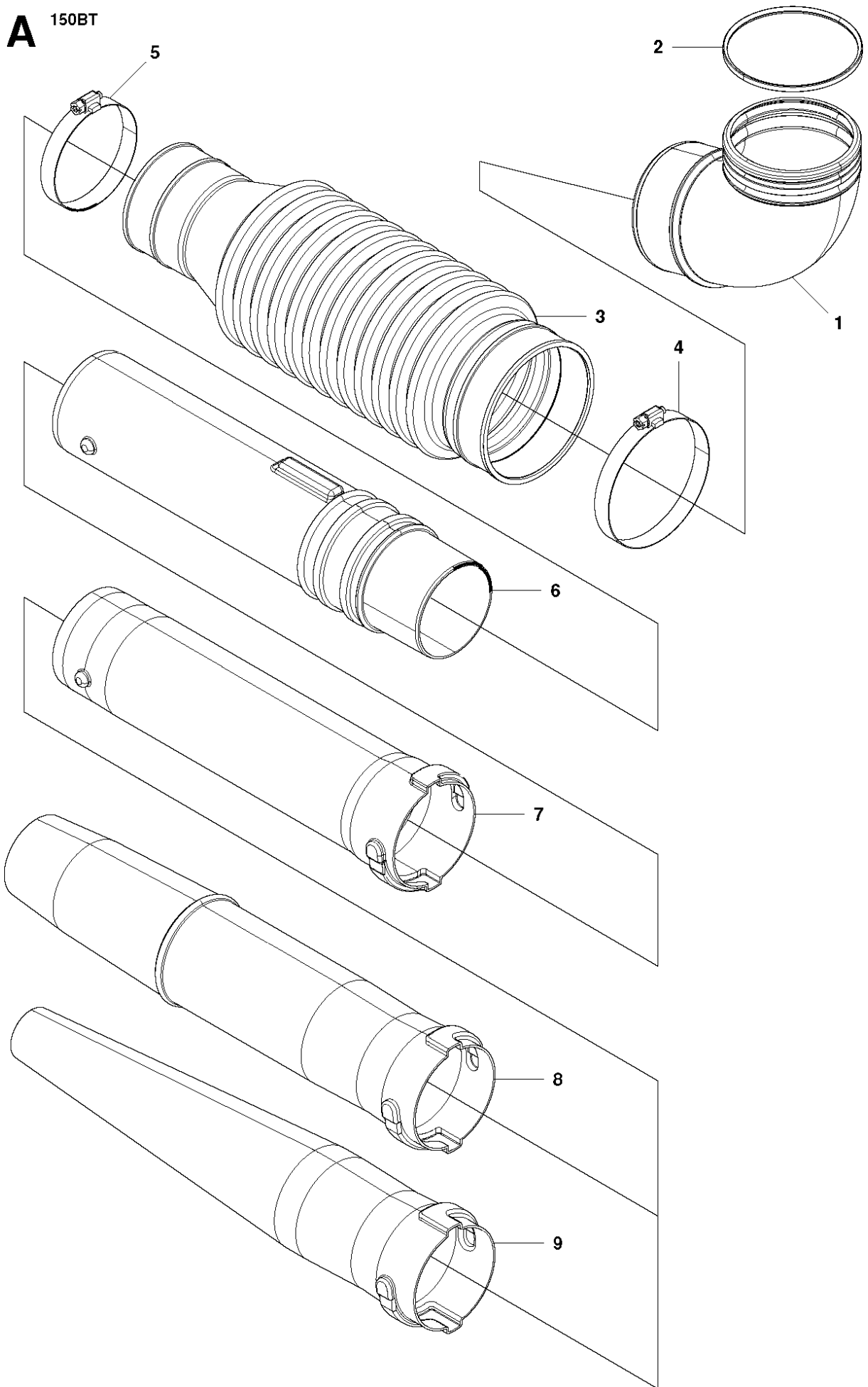
12

STARTER

150 BT Lowes, 2009-10

Ref	Part no.	Description	Remark	Qty	Kit
1	502 84 31-01	STARTER ASSY		1	
2	502 84 32-01	KNOB		1	
3	502 84 33-01	SPRING		1	
4	502 84 34-01	STARTER PULLEY		1	
5	502 84 35-01	CORD		1	
6	504 55 48-01	STARTER PAWL		1	
7	502 84 36-01	WASHER		1	
8	504 55 49-01	RETAINER		1	
9	502 84 37-01	WASHER		1	
10	502 84 38-01	SCREW		1	
11	502 84 39-01	SCREW		4	
12	529 29 57-01	LABEL		1	
13	513 28 88-01	PULLEY		1	
14	513 24 19-01	NUT		1	

A 150BT



TUBE

150 BT Lowes, 2009-10

Ref	Part no.	Description	Remark	Qty	Kit
1	577 07 87-01	ELBOW		1	
2	581 45 19-01	O-RING		1	
3	577 07 88-01	PIPE		1	
4	544 27 41-01	CLAMP		1	
5	504 06 49-01	CLAMP		1	
6	577 07 89-01	TUBE		1	
7	577 07 93-01	TUBE		1	
8	577 07 95-01	PIPE		1	
9	577 07 96-01	PIPE		1	